

Capacity	Accuracy	Part-Number
50 kg	C3D <sup>1</sup>	L6E-C3D-50kg-xB
60 kg	C3	L6E-C3-60kg-xB
80 kg	C3D <sup>1</sup>	L6E-C3D-80kg-xB
100 kg	C3	L6E-C3-100kg-xB
150 kg	C3	L6E-C3-150kg-xB
200 kg	C3	L6E-C3-200kg-xB
300 kg	C3	L6E-C3-300kg-xB

RoHS



- Aluminium-Alloy IP65 single point load cell.
- Colourless anodized
- Suitable for pricing scales, bench scales, etc.
- Maximum platform size: 400 x 400mm

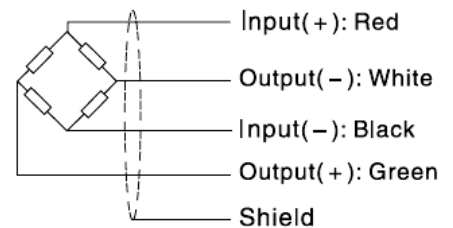
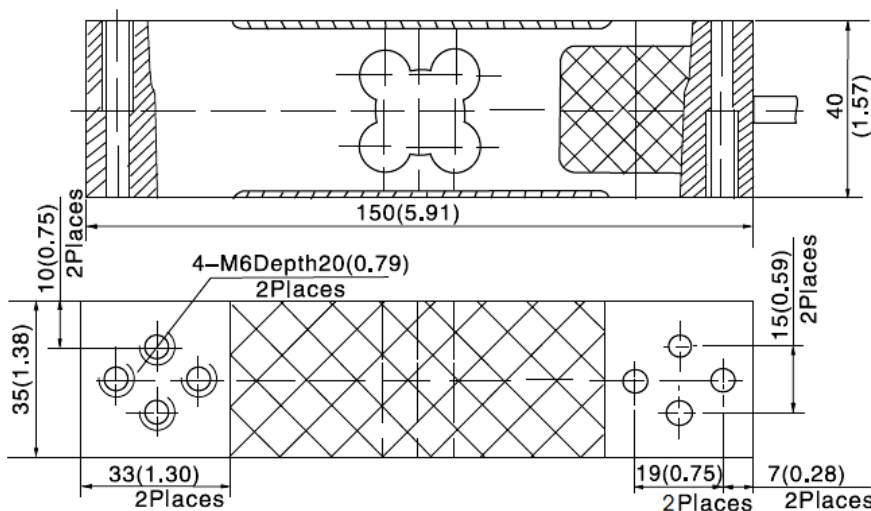


## Specification:

Accuracy class		OIML R60 C3	C3D <sup>1</sup>
Output sensitivity ( = FS )	mV/V	2.0 ± 0.2	
Maximum capacity (E <sub>max</sub> )	kg	60, 100, 150, 200, 300	50, 80
Maximum number of load cell intervals ( n <sub>LC</sub> )		3000	2500
Ratio of minimum LC verification interval Y = E <sub>max</sub> / V <sub>min</sub>		5000 / 6000 / 7500 / 10000 / 15000 <sup>2</sup>	5000
Combined Error	%FS	± 0.0200	± 0.0280
Minimum dead load	kg	0	
Safe overload	of E <sub>max</sub>	150 %	
Ultimate overload	of E <sub>max</sub>	300 %	
Zero balance	of FS	< ± 2.0 %	
Excitation, recommended voltage	V	5 ~ 12	
Excitation maximum	V	18	
Terminal resistance, input	Ω	406 ± 6	
Terminal resistance, output	Ω	350 ± 3	
Insulation impedance	MΩ	≥5000 ( 50VDC )	
Temperature range, compensated	°C	-10 ~ +40	
Temperature range, operating	°C	-35 ~ +65	
Element material		Aluminium	
Cable length	m	2 or 3	
Recommended torque on fixation bolts	Nm	10	
Ingress Protection (according to EN 60529)		IP65	

Note 1: non-OIML Note 2: Y value is indicated on the load cell

## Outline Dimensions in mm



- Dimensions and specifications are subject to change without notice.

### Wiring:

- Adopt a shielded, 4 conductor cable, and cable jacket is PVC.
- Cable length: 2 ± 0.1m or 3 ± 0.1m.
- Cable diameter: 5 ± 0.2mm.
- Shield not connected to element.

Nr. 2009.12 L6E Rev1