



Capacity	Accuracy	Part-Number
50 kg	C3 & C4	L6G-C4-50kg-3G6 (-R1)
100 kg	C3 & C4	L6G-C4-100kg-3G6 (-R1)
150 kg	C3 & C4	L6G-C4-150kg-3G6 (-R1)
200 kg	C3 & C4	L6G-C4-200kg-3G6 (-R1)
250 kg	C3 & C4	L6G-C4-250kg-3G6 (-R1)
300 kg	C3 & C4	L6G-C4-300kg-3G6 (-R1)
500 kg	C3 & C4	L6G-C4-500kg-3G6 (-R1)
600 kg	C3 & C4	L6G-C4-600kg-3G6 (-R1)

- Aluminium-Alloy IP65 single point load cell
- Colourless anodized
- Suitable for single & double load cells structured platform scales.
- Maximum platform size: 600 x 600 mm

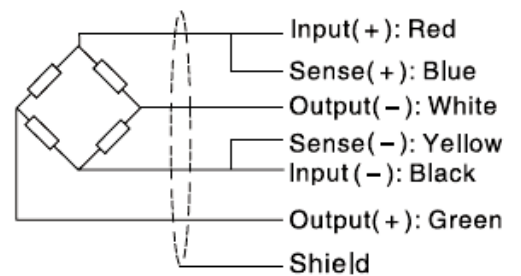
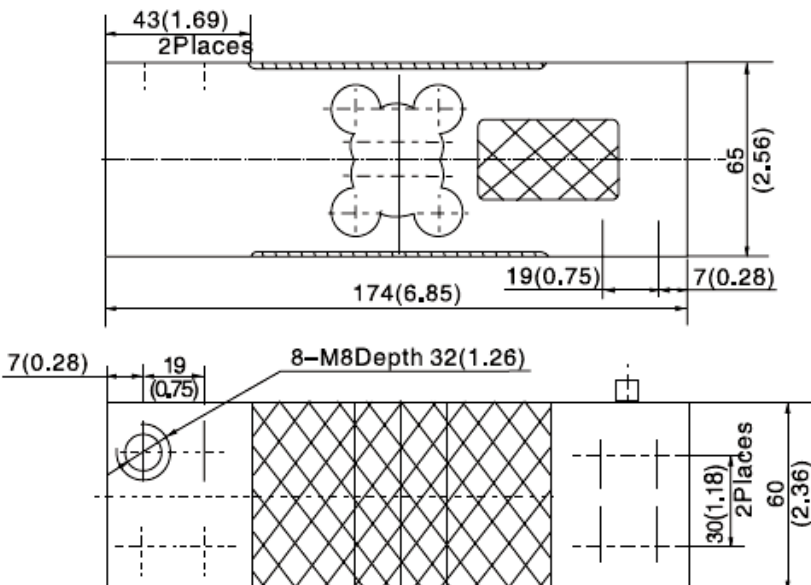


Specification:

Accuracy class		C3D	OIML R60 C3	OIML R60 C4
Output sensitivity (= FS)	mV/V		2.0 ± 0.2	
Maximum capacity (E _{max})	kg	50, 100, 150, 200, 250, 300, 500, 600		
Maximum number of load cell intervals (n _{LC})		2500	3000	4000
Ratio of minimum LC verification interval Y = E _{max} / V _{min}		5000	12000	15000
Combined Error	%FS	0.0280	± 0.0200	± 0.0170
Minimum dead load	kg	0		
Safe overload	of E _{max}	150 %		
Ultimate overload	of E _{max}	300 %		
Zero balance	of FS	< ± 2.0 %		
Excitation, recommended voltage	V	5 ~ 12		
Excitation maximum	V	18		
Terminal resistance, input	Ω	409 ± 6 / 1065 ± 15 ²		409 ± 6
Terminal resistance, output	Ω	350 ± 3 / 1000 ± 5 ²		350 ± 3
Insulation impedance	MΩ	≥ 5000 (at 50VDC)		
Temperature range, compensated	°C	-10 ~ +40		
Temperature range, operating	°C	-35 ~ +65		
Element material		Aluminium		
Recommended torque on fixation bolts	Nm	20		
Ingress Protection (according to EN 60529)		IP65		

1 Only available in OIML C3 2 1000 Ohm types (designated as R1), no OIML approval

Outline Dimensions in mm



• Dimensions and specifications are subject to change without notice.

Wiring:

- Adopt a shielded, 6 conductor cable, and cable jacket is PVC.
- Cable length: 3.0 ± 0.1m.
- Cable diameter: 6.0 ± 0.2mm.
- The shield is connected to the element.