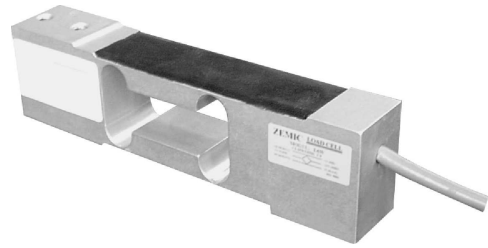


RoHS



- Aluminium-Alloy IP65 single point load cell
- Colourless anodized
- Suitable for single or double load cell structured platform scales
- Maximum platform size: 350 x 400 mm

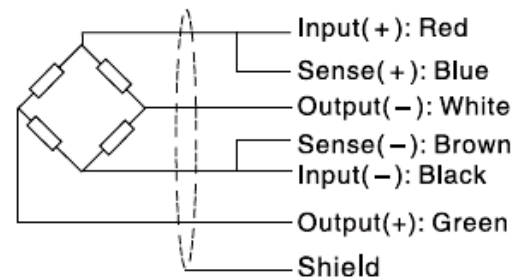
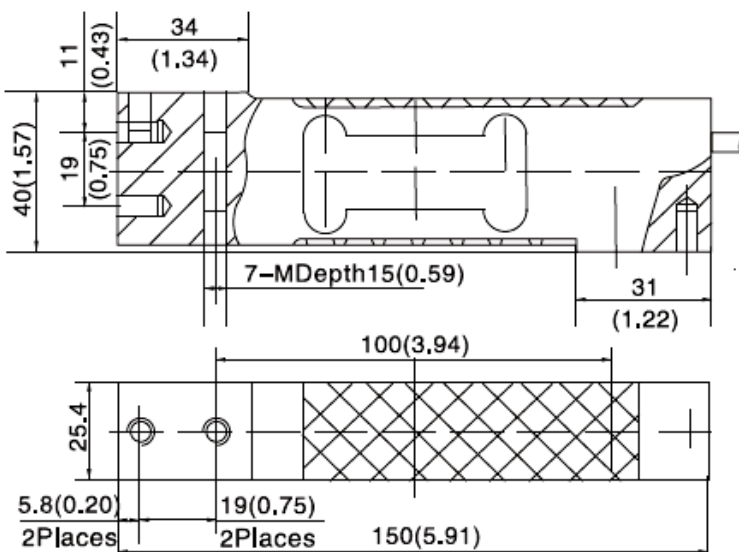


Capacity	Accuracy	Part-Number
xxx kg	C3	L6N-C3-xxxkg-3B6
xxx lb	C3	L6N-C3-xxxlb-3B6
xxx kg	C4	L6N-C3-xxxkg-3B6
xxx lb	C4	L6N-C3-xxxlb-3B6

Specification:

Accuracy class		OIML R60 C3	OIML R60 C4
Output sensitivity (= FS)	mV/V	2.0 ± 0.2	
Maximum capacity (E _{max})	kg	3, 5, 8, 10, 15, 20, 30, 50, 75, 100	15, 20, 30, 50, 75
	lb	10, 15, 20, 30, 50, 100, 200	30, 50, 100
Maximum number of load cell intervals (n _{LC})		3000	4000
Ratio of minimum LC verification interval Y = E _{max} / V _{min}		12000	20000
Minimum Dead Load Output Return (Z = ½ * E _{max} / DR)		4000	
Combined Error	%FS	± 0.0230	± 0.0200
Minimum dead load	kg or lb	0	
Safe overload	of E _{max}	150 %	
Ultimate overload	of E _{max}	300 %	
Zero balance	of FS	< ± 2.0 %	
Excitation, recommended voltage	V	5 ~ 12	
Excitation maximum	V	18	
Terminal resistance, input	Ω	409 ± 6	
Terminal resistance, output	Ω	350 ± 3	
Insulation impedance	MΩ	≥ 5000 (at 50VDC)	
Temperature range, compensated	°C	-10 ~ +40	
Temperature range, operating	°C	-35 ~ +65	
Element material		Aluminium	
Recommended torque on fixation bolts	Nm	10	
Ingress Protection (according to EN 60529)		IP65	

Outline Dimensions in mm



• Dimensions and specifications are subject to change without notice.

Wiring:

- Adopt a shielded, 6 conductor cable, and cable jacket is PVC.
- Cable length: 3.0 ± 0.05m.
- Cable diameter: 5.0 ± 0.2mm.
- Shield not connected to body.

	Metric	Imperial
M	M6	1/4-20UNC

Nr. 2009.12 L6N Rev3